

## 1223-2IL

20 Amp, 120/277 Volt, Toggle Locking 3-Way AC Quiet Switch, Industrial Grade, Self Grounding, Back & Side Wired, - Ivory



UPC Code : 078477358481

Country Of Origin : Please Contact Customer Service.

### Available Colors :



Leviton's Industrial Grade AC toggle switches for extra heavy-duty applications represent top-of-the-line quality and peak performance. Leviton uses the finest materials available and the highest production standards to produce industrial switches of unmatched versatility and reliability.

### Technical Information

#### AC Horsepower Ratings

**HP Rating** : 1HP-120V 2HP-240V

**Max. Amperage** : 16 Amp

#### Electrical Specifications

**Amperage** : 20 A

**Dielectric Voltage** : Withstands 1500V for 1 minute

**Endurance** : 50,000 cycles minimum

**Grounding** : Self-Grounding

**Overload UL20 Test** : 100 cycles of OL at 4.8 times rated current

**Temperature Rise** : Maximum 30 degrees C rise

**Voltage** : 120/277 VAC

#### Environmental Specifications

**Flammability** : Rated V-2 per UL 94

**Operating Temperature** : -40°C to 65°C

#### Material Specifications

**Base Material** : Thermoplastic

**Color** : Ivory

**Contact Material** : Silver Alloy

**Cover Material** : Thermoplastic

**Ground Clips** : Brass

**Grounding Screw** : Brass 8-32

**Strap Material** : .048" Thick Galvanized Steel

**Terminal Screws** : Brass 8-32

**Toggle** : Polycarbonate

#### Mechanical Specifications

**Product ID** : Ratings are permanently marked on device

**Terminal Accom.** : 14-#10 AWG back wired; #14-#12 AWG side wired

**Terminal ID** : Brass-Hot Black-Hot White-Neutral Green-Gnd

**Termination** : Back or Side Wire

**Torque Range** : 12-14 inch pounds

#### Product Features

**Color** : Ivory

**Device Type** : Tamper-Resistant Toggle Switch

**Function** : 3-Way

**Grade** : Extra Heavy-Duty Industrial Specification Grade

#### Standards and Certifications

**ANSI** : C-73

**CSA C22.2 No. 111** : File #152105

**NEMA** : WD-1 & WD-6

**NOM** : 057

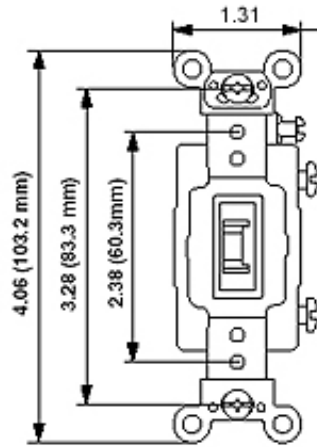
**RoHS** : Compliant

**UL Fed Spec WS896E** : File #E7458

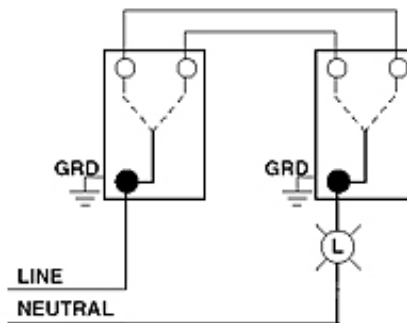
**UL Standard** : UL 20

**Warranty** : 10-Year Limited

## Dimensional Diagram



## Wiring Diagram 3-Way to 3-Way



## SPECIFICATION SUBMITTAL

JOB NAME: <input type="text"/>	CATALOG NUMBERS: <input type="text"/>	<input type="text"/>
JOB NUMBER: <input type="text"/>	<input type="text"/>	<input type="text"/>

### Leviton Manufacturing Co., Inc.

201 North Service Road, Melville, NY 11747

Telephone: +1-800-323-8920 · FAX: +1-800-832-9538 · Tech Line (8:30AM-7:30PM E.S.T. Monday-Friday):

+1-800-824-3005

### Leviton Manufacturing of Canada, Ltd.

165 Hymus Boulevard, Pointe Claire, Quebec H9R 1E9 · Telephone: +1-800-469-7890 ·

FAX: +1-800-824-3005 · [www.leviton.com/canada](http://www.leviton.com/canada)

### Leviton S. de R.L. de C.V.

Lago Tana 43, Mexico DF, Mexico CP 11290 · Tel.: (+52)55-5082-1040 · FAX: (+52)5386-

1797 · [www.leviton.com.mx](http://www.leviton.com.mx)

Visit our Website at: [www.leviton.com](http://www.leviton.com)

© 2018 Leviton Manufacturing Co., Inc. All Rights Reserved. Subject to change without notice.

### Leviton has a global presence.

If you would like to know where your local Leviton office is located please go to:

[www.leviton.com/international/contacts/](http://www.leviton.com/international/contacts/)

